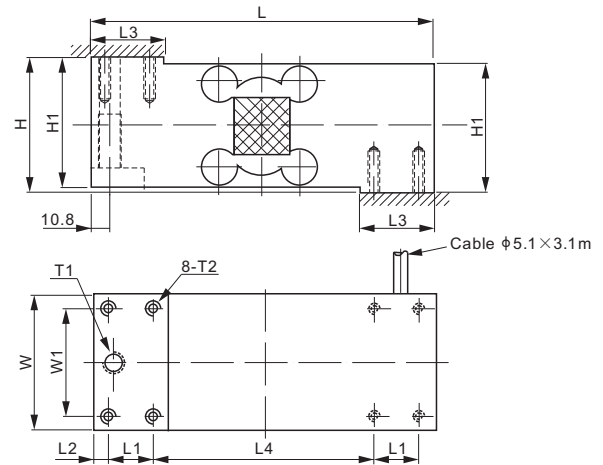
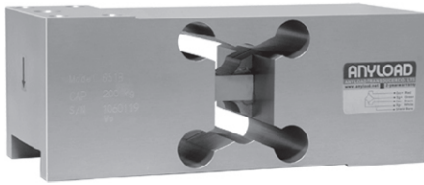


# 651BA; 651BAUN



## Aluminum



### DIMENSIONS

RATED CAPACITY	H	H1	L	L1	L2	L3	L4	W	W1	T1	T2
<b>651BA:</b> kg/mm 50-1,000	75.0	73.5	191.0	25.0	8.0	41.5	125.0	75.0	60.0	M12 Depth30	M8 Depth20
<b>lb/inches</b> (conversion of above dimensions) 110.2-2,204.6	2.95	2.89	7.52	0.98	0.31	1.63	4.92	2.89	2.36	M12 Depth1.2	M8 Depth0.8
<b>651BAUN:</b> kg/mm 50-1,000	75.0	73.5	191.0	25.0	8.0	41.5	125.0	75.0	60.0	$\frac{1}{2}$ -20 UNF Depth30	$\frac{5}{16}$ -18 UNC Depth20
<b>lb/inches</b> (conversion of above dimensions) 110.2-2,204.6	2.95	2.89	7.52	0.98	0.31	1.63	4.92	2.89	2.36	$\frac{1}{2}$ -20 UNF Depth1.2	$\frac{5}{16}$ -18 UNC Depth0.8

### SPECIFICATIONS

Full Scale Output	2.0 ± 10% mV/V	Recommended Excitation	10V (15V Maximum)
Zero Balance	± 0.02 mV/V	Reference Max. Platform Size	750 × 750 mm
Non-linearity	< ± 0.017%	Insulation Resistance	> 2 [ 50V DC ] GΩ
Repeatability	< ± 0.017%	Nominal Temperature Range	-10°C to 40°C / 14°F to 104°F
Hysteresis Error	< ± 0.017%	Safe Overload	150% of full scale
Creep in 30 min.	< ± 0.023%	Breaking Overload	300% of full scale
Input Resistance	415 Ω ± 15	Seal Type / IP Rating	Environmentally Sealed / IP67
Output Resistance	350 Ω ± 3	Cable Color Code	Exc+ Red      Exc- Black Sig+ Green    Sig- White    Shield Bare
Element Material	Aluminum		

### PART NUMBER

Rated Capacity	Part No.	Shipping Weight (kg) Approx.
50kg.....	651BA-50kg .....	2.7
	651BAUN-50kg.....	2.7
100kg.....	651BA-100kg .....	2.7
	651BAUN-100kg.....	2.7
200kg.....	651BA-200kg .....	2.7
	651BAUN-200kg.....	2.7
300kg.....	651BA-300kg .....	2.7
	651BAUN-300kg.....	2.7
500kg.....	651BA-500kg .....	2.7
	651BAUN-500kg.....	2.7
635kg.....	651BA-635kg .....	2.7
	651BAUN-635kg.....	2.7
700kg.....	651BA-700kg .....	2.7
	651BAUN-700kg.....	2.7
1t.....	651BA-1t.....	2.7
	651BAUN-1t.....	2.7

### INTERCHANGEABLE PRODUCTS

651BAUN Manufacturer	Model
ANYLOAD.....	108UAUN
Coti Global.....	CG-50
FLINTEC.....	PCB*
HBM.....	PW12B
HBM.....	PW12
Rice Lake.....	RL1250
Vishay Celtron.....	LOC
Vishay Revere Transducers.....	652
Vishay Sensortronics.....	60060
Vishay Tedeia-Huntleigh.....	1250

\* Flintec PCB is of stainless steel construction, hermetically sealed